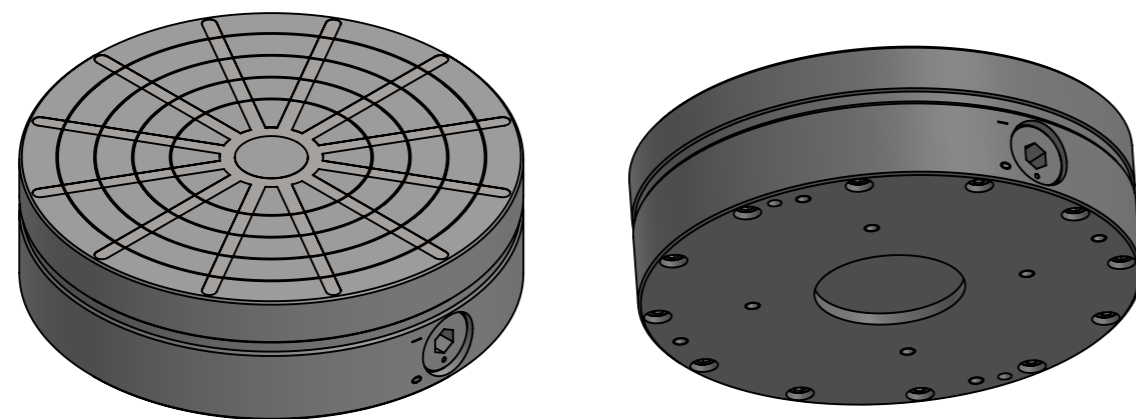
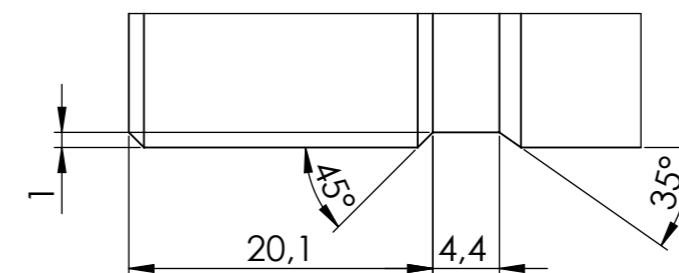


DETAIL A  
2:1



Neodymium magnet system, Steel base body  
 Radial pole pitch  
 Nominal holding force approx. 140 N/cm<sup>2</sup>  
 Magnetic field height approx. 10mm  
 Wearability 7mm  
 Switching travel 180°

Schutzvermerk nach DIN ISO 16016 beachten! Nachdruck nur mit unserer Genehmigung!		3,2 / $\begin{matrix} -0,05 \\ -0,2 \end{matrix}$	tolerance	material: 1.0037 (S235JR)	weight: 13.00
All rights reserved according to DIN ISO 16016! Reprint with our permission only!			ISO 7168 M	drawing no.: <b>0024007</b>	
drawn	07.03.2024	TW	description: <b>RS 20 Magnetrundfutter</b>		
appr.	07.03.2024	TW	part no.: <b>210320</b>		
 <a href="http://www.flraig-te.de">www.flraig-te.de</a>			sheet 1 / 1		
rev.	change	date	name	scale: 1:2	Status: Freigegeben